



**NICKEL PLATED BRASS
NOZZLES OFFER EXCELLENT
CHEMICAL RESISTANCE.**

Milwaukee Sprayer has many different stock nozzles and extensions available for Model A sprayers. Below is a list with some brief descriptions. If you can't find exactly what you want, or if you need something different, contact us using the information on the back. Because we manufacture our parts and accessories, as well as our sprayers, we can modify or customize many items to meet your needs.

NOZZLE / EXTENSION SELECTION
(Available for Model A Units Only)



301

Solid pin stream pattern. For applications where "splash" coverage is preferred or deeper penetration is required (such as penetrating oil, lubrication oil, insecticide, etc.) Ideal for distant or inaccessible areas. Effective range up to 20 feet.



302-B

Solid cone pattern, heavy density. For use where heavier coverage is preferred such as whitewall tire cleaner and machinery cleaner.



302

Standard solid cone pattern, medium density.



302-C

Solid cone pattern, extra fine density. For use where light coverage with a fine mist is preferred such as marking dyes and ink.



305

Solid cone pattern, fine density. For use with lighter liquids and applications that require extra uniformity such as mold release agents and dry-cleaning fluids.



501

Flat, fan-shaped pattern, medium to heavy density. For applications that require a uniform film over a large area such as insecticides, bakers trough grease, etc. Handles heavier viscosity liquids more effectively.



602

Adjustable spray nozzle permits finger-tip regulation of spray from extra fine mist to pin stream. Should not be used with materials harmful to plastics.



707

Extra fine full pattern. Will spray some heavier type liquids.

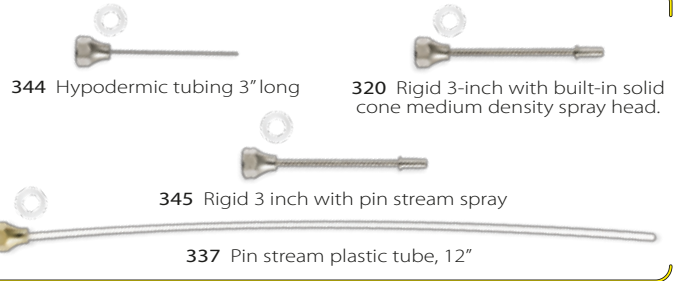
FILLER CAP



156

"T" handle allows for easy removal and tightening by hand.

NOZZLE EXTENSIONS - 320/345/337



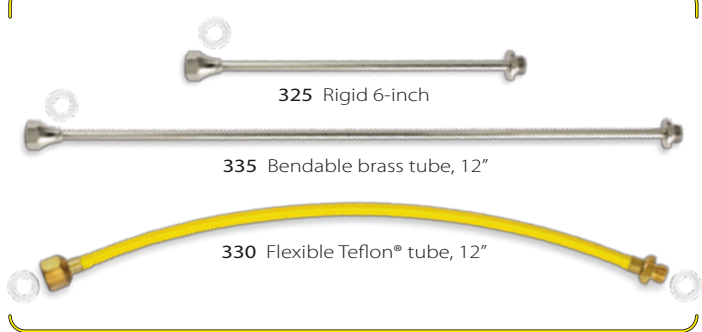
344 Hypodermic tubing 3" long

320 Rigid 3-inch with built-in solid cone medium density spray head.

345 Rigid 3 inch with pin stream spray

337 Pin stream plastic tube, 12"

NOZZLE EXTENSIONS FOR - 301/302/302C/302B/501

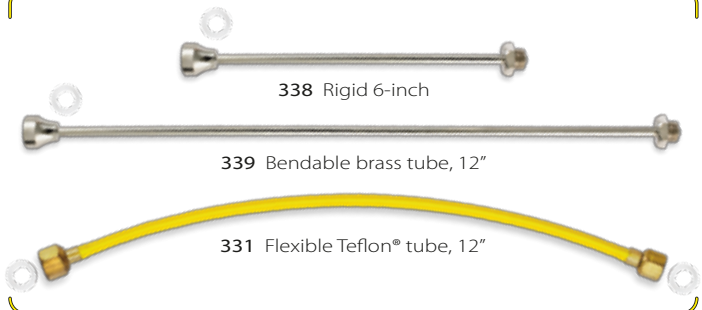


325 Rigid 6-inch

335 Bendable brass tube, 12"

330 Flexible Teflon® tube, 12"

NOZZLE EXTENSIONS FOR - 305/550/567/602/707



338 Rigid 6-inch

339 Bendable brass tube, 12"

331 Flexible Teflon® tube, 12"

Individual parts, kits and accessories are available for all Sure Shot® sprayers. Contact us for more information. Toll Free 800.558.7035